

AAHHi

Portable Two Way Radio



A33 A34 A35

User Manual

Welcome!

Congratulations on your purchase of our instant communication equipment. Our products will provide you with high quality, clear voice, reliable and easy to use bidirectional person-to-person voice communication for your safety and improving efficiency.

Our products will keep you in constant touch with your team members for years to come with negligible maintenance down-time.

Please take a few minutes to read this manual carefully. The information presented here will allow you to derive maximum performance from your radio, in case questions arise later on.

Accessories List

Carefully unpack the radio and accessories. File a claim with the dealer immediately if any items are missing or damaged.



Battery



Belt Holster



Adapter



Charging Cable



User Manual

CHARGING THE BATTERY

1.The battery is not charged in the factory, please charge the battery under the environmental temperature 5-40 °C before using.

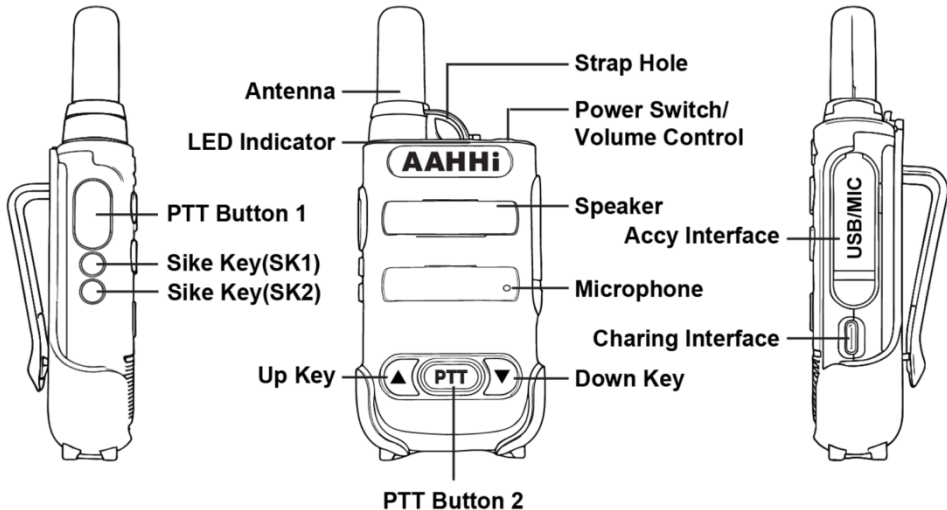
2.After purchasing or long-term storage(more than two months),charging the battery for the first time can not reach its saturation capacity, repeat charge/discharge for twice or three times to make battery capacity achieve the best state.

3.Before charging, please power off the radio, using the radio during charging may affect correct charging.

4.If the battery has been charged fully, please do not charge it again, otherwise the service life of the battery may be shorten or may be damaged.

5.If the service time is significantly reduced even after completely correct charging, the battery can not be used any more, please replace a new battery.

GETTING ACQUAINTED



FUNCTIONS OPERATION

(The following features should be programmed by your dealers).

●Scanning

It is convenient for the user to search for calls from other channels. When "**Side Key 2**" in the software is programmed to the scanning function, long press the [**Side Key 2**] at least 2 seconds to enter into the scanning mode, the radio will start to scan with the current channel; operate it again to exit.

●Monitoring

Long press the [**Side Key 1**] to enter into the monitor mode, release it to exit.

●VOX

This hands-free feature allows you to get on with other manual tasks while you stay in touch with other users. VOX gain inversion level refers to the voice sensitivity, it has level 1-9.

●Chinese/English Voice Prompt

Select Channel No.14, press and hold [**PTT**] and [**Side Key 1**], then turn on the power to toggle the language.

●Time Out Timer(TOT)

The purpose of the TOT is to prevent any single person from using a channel for an extended period of time. An alarm will sound if the transmission continues beyond the set time. The radio will stop transmission if this occurs. To stop the alarm, release the [PTT] button and the radio will return to standby.

●Busy Lockout Function

The function can prevent interference with other radios in the channel.

●High-Low Power

The radio has a high-low power selection through software.

●Battery Power Saving

If there is no signal or operation, the radio will reduce its power consumption. The battery power-saving function activates when the channel is unoccupied or has not been in operation.

●Low Battery Warning

If the battery power falls to the predetermined value during transmission, the radio will give out a voice prompt, please charge in time.

●Scrambler

It is a voice encryption mode which is different from sub audio.

●Comandor

It is a function setting which prevents the inter-channel interference.

●CTCSS/DCS

The radio has 50 CTCSS and 210 DCS, please use CPS to program it.

●Frequency Hopping

Frequency hopping is a method of transmitting radio signals by rapidly switching the carrier between different frequency channels.

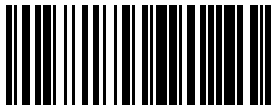
●Wide/Narrow Band

Narrowband takes up less frequency space and lowers the chance for interference, wideband channels can carry more infos but require more power.

AAHHi



Quanzhou Aahhi Electronics Co., Ltd.
www.aahhi.com



5 1 0 4 1 0 5 5 1

©Copyright 2023
Quanzhou Aahhi Electronics Co., Ltd.
All rights reserved.

No portion of this manual
may be reproduced
without the permission of
Quanzhou Aahhi Electronics Co., Ltd.

Printed in China

Note:

Features and Specifications are subject to change without notice. AAHHi is not responsible for unintentional errors or omissions on its packaging.